

Industrial Air Filtration Equipment

ULTRA
INDUSTRIES, INC.

Vertical Cartridge Collector from Ultra Industries

For Immediate Release:

March 7, 2008

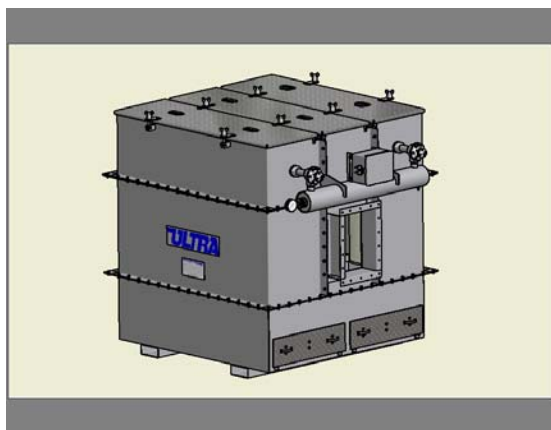
Contact: Thomas Meyer
Ultra Industries, Inc.
(262) 633-5070 ext. 143
(262) 633-5102 (fax)
www.ultradustcollectors.com

Racine, WI – Ultra Industries, Inc introduces the Model UVC Ultra-Flo vertical cartridge dust collector. The UVC Ultra-Flo has been designed to handle a variety of in-plant air quality problems. The compact size allows for installation in tight areas while the modular design allows for multiple arrangements to handle airflows from 500 to 25,000 CFM.

The UVC Ultra-Flo utilizes top loading cartridges for easy, tool-free access and removal and drawer hoppers for convenient disposal of collected dust.

Options include a pyramid hopper with inlet baffle, support stand, service platform and ladder.

Ultra Industries, Inc. is headquartered in Racine, WI and markets a full line of dust collection and industrial air filtration equipment.



Ultra Industries, Inc.
2300 South Street
Racine, WI 53404